

FIG. 1

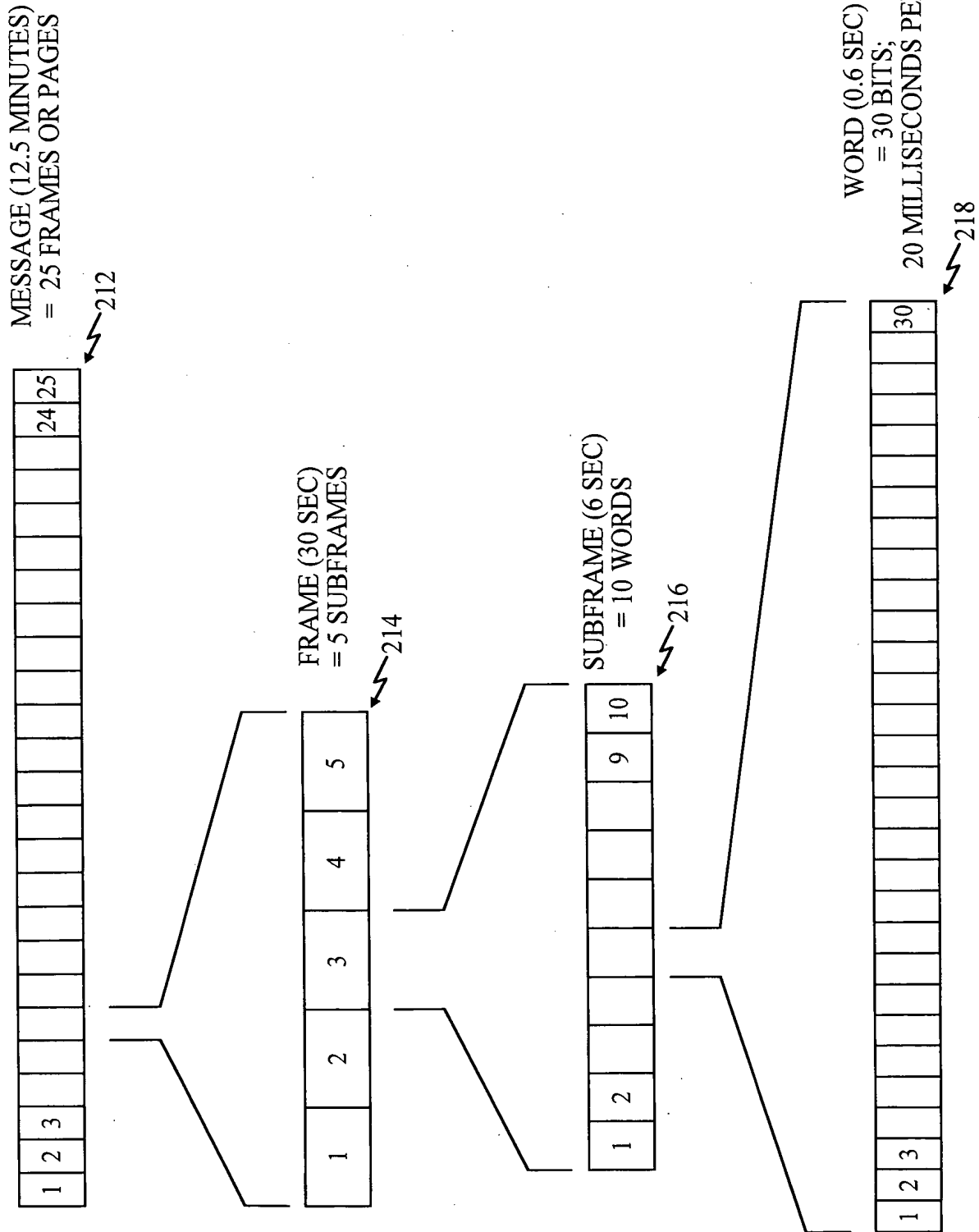


FIG. 2A

$$\begin{aligned} D_1 &= d_1 \oplus D_{30}^* \\ D_2 &= d_2 \oplus D_{30}^* \\ D_3 &= d_3 \oplus D_{30}^* \end{aligned}$$

•
•
•

$$\begin{aligned} D_{24} &= d_{24} \oplus D_{30}^* \\ D_{25} &= D_{29} \oplus d_1 \oplus d_2 \oplus d_3 \oplus d_6 \oplus d_8 \oplus d_{10} \oplus d_{11} \oplus d_{12} \oplus d_{13} \oplus d_{14} \oplus d_{17} \oplus d_{18} \oplus d_{20} \oplus d_{23} \\ D_{26} &= D_{30} \oplus d_2 \oplus d_3 \oplus d_4 \oplus d_6 \oplus d_7 \oplus d_{11} \oplus d_{12} \oplus d_{13} \oplus d_{14} \oplus d_{15} \oplus d_{18} \oplus d_{19} \oplus d_{21} \oplus d_{24} \\ D_{27} &= D_{29} \oplus d_1 \oplus d_3 \oplus d_4 \oplus d_6 \oplus d_7 \oplus d_8 \oplus d_{12} \oplus d_{13} \oplus d_{14} \oplus d_{15} \oplus d_{16} \oplus d_{19} \oplus d_{20} \oplus d_{22} \\ D_{28} &= D_{30} \oplus d_2 \oplus d_4 \oplus d_5 \oplus d_6 \oplus d_8 \oplus d_9 \oplus d_{13} \oplus d_{14} \oplus d_{15} \oplus d_{16} \oplus d_{17} \oplus d_{20} \oplus d_{21} \oplus d_{23} \\ D_{29} &= D_{30} \oplus d_1 \oplus d_3 \oplus d_5 \oplus d_6 \oplus d_7 \oplus d_9 \oplus d_{10} \oplus d_{14} \oplus d_{15} \oplus d_{16} \oplus d_{17} \oplus d_{18} \oplus d_{21} \oplus d_{22} \oplus d_{24} \\ D_{30} &= D_{29} \oplus d_3 \oplus d_5 \oplus d_6 \oplus d_8 \oplus d_9 \oplus d_{10} \oplus d_{11} \oplus d_{13} \oplus d_{15} \oplus d_{19} \oplus d_{22} \oplus d_{23} \oplus d_{24} \end{aligned}$$

WHERE,

d_1, d_2, \dots ARE THE SOURCE DATA BITS

THE SYMBOL * IS USED TO IDENTIFY THE LAST 2 BITS OF THE PREVIOUS WORD OF THE SUBFRAME

D_{25}, \dots, D_{30} ARE THE COMPUTED PARITY BITS

D_1, D_2, \dots, D_{30} ARE THE BITS TRANSMITTED BY THE SATELLITE

\oplus IS THE MODULO-2 OR EXCLUSIVE-OR OPERATION

FIG. 2B

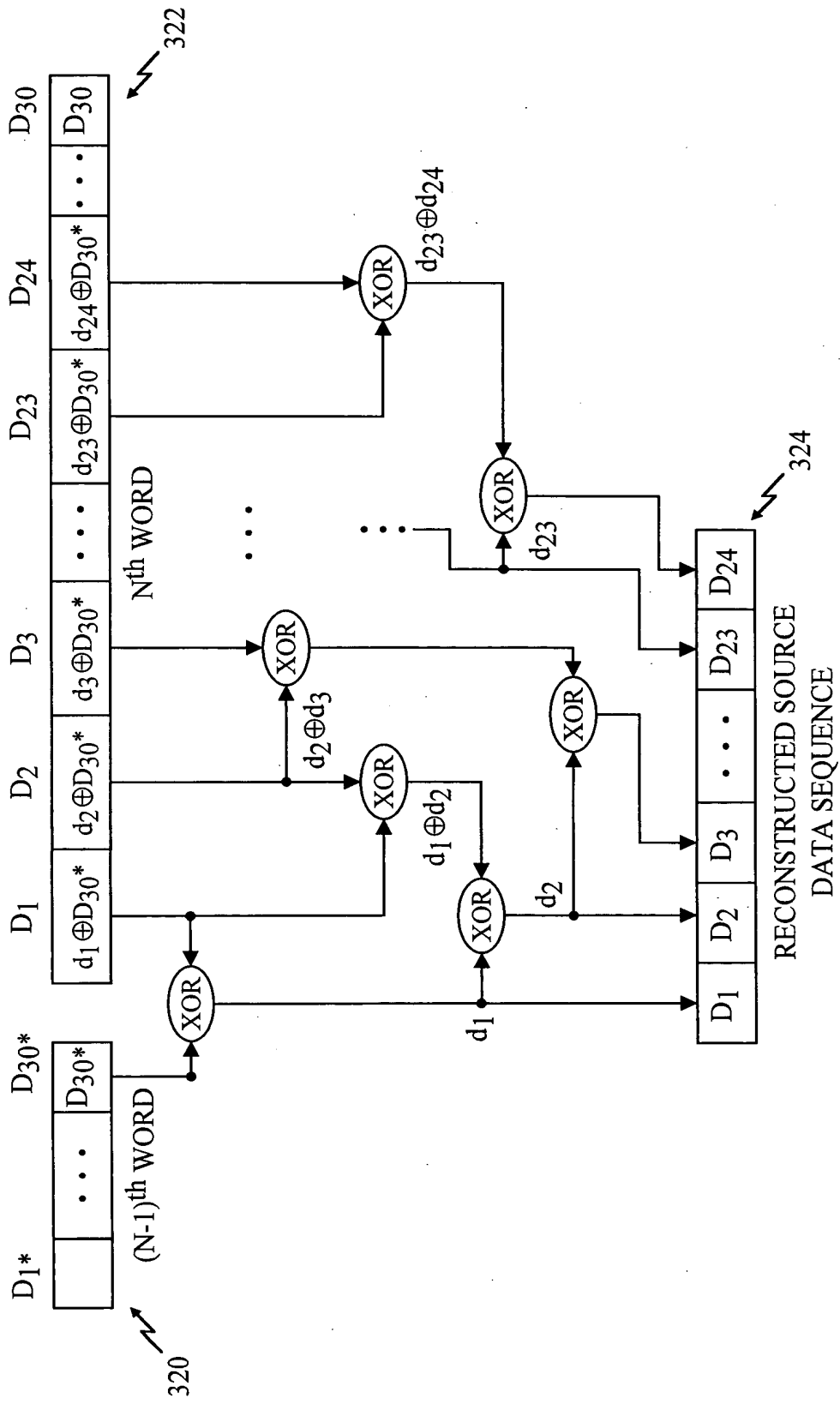


FIG. 3

400

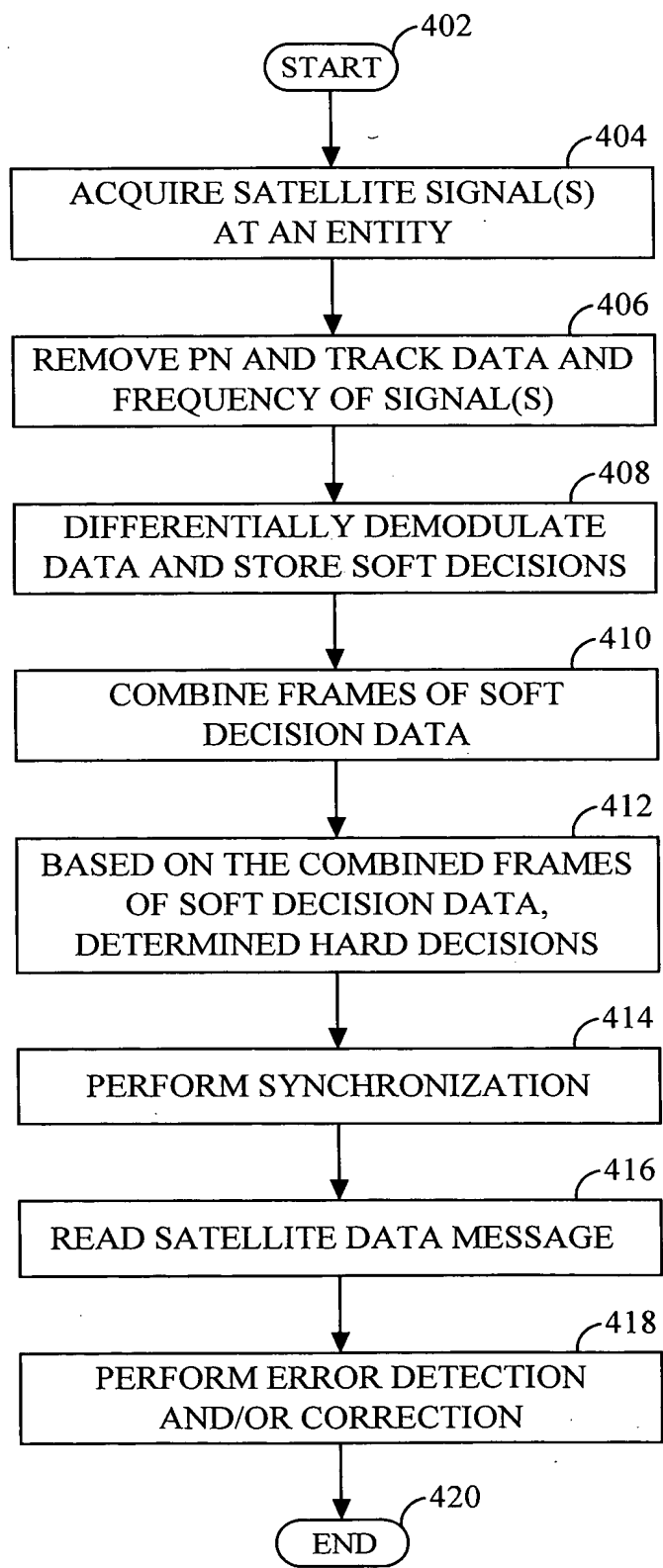


FIG. 4

500

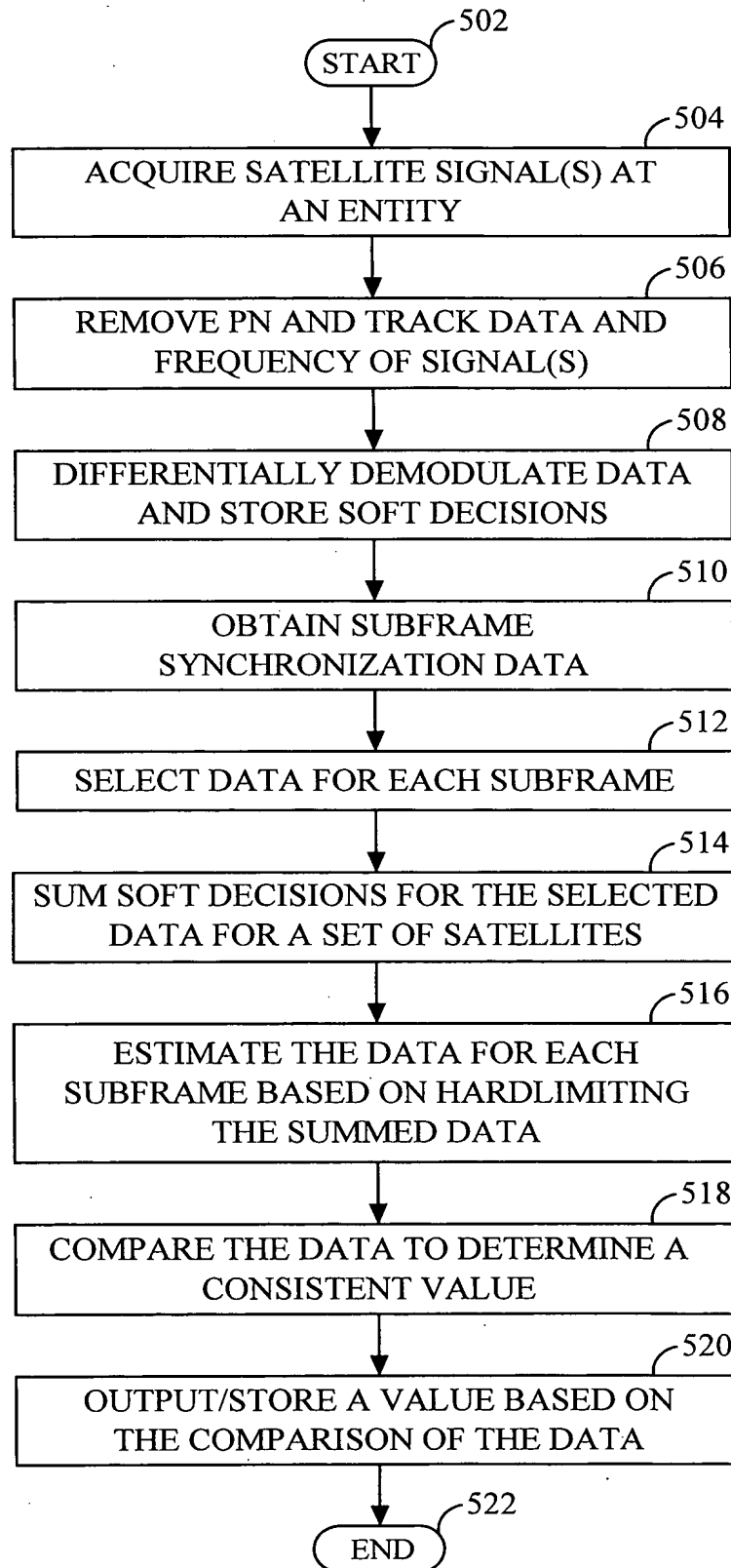


FIG. 5

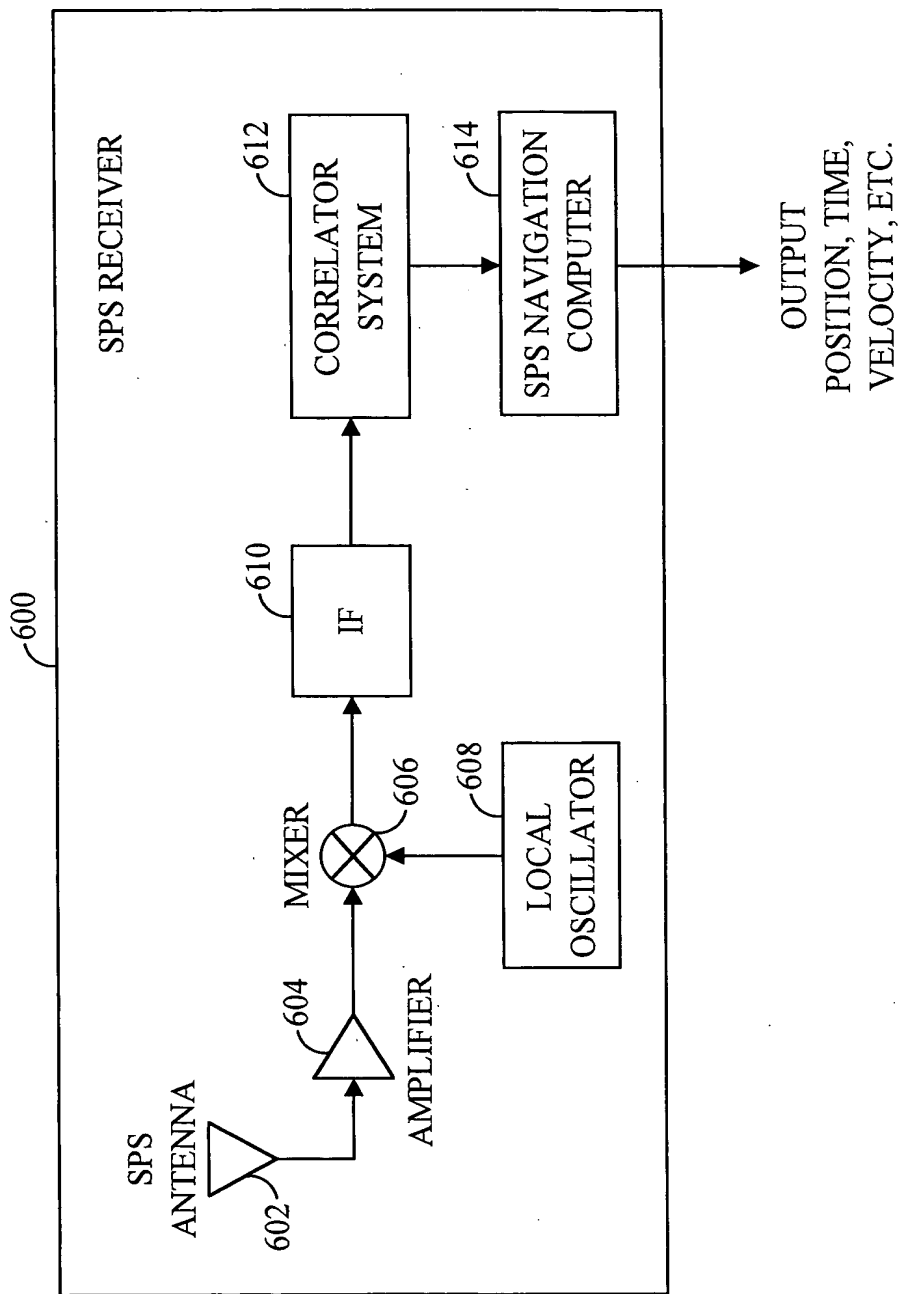


FIG. 6

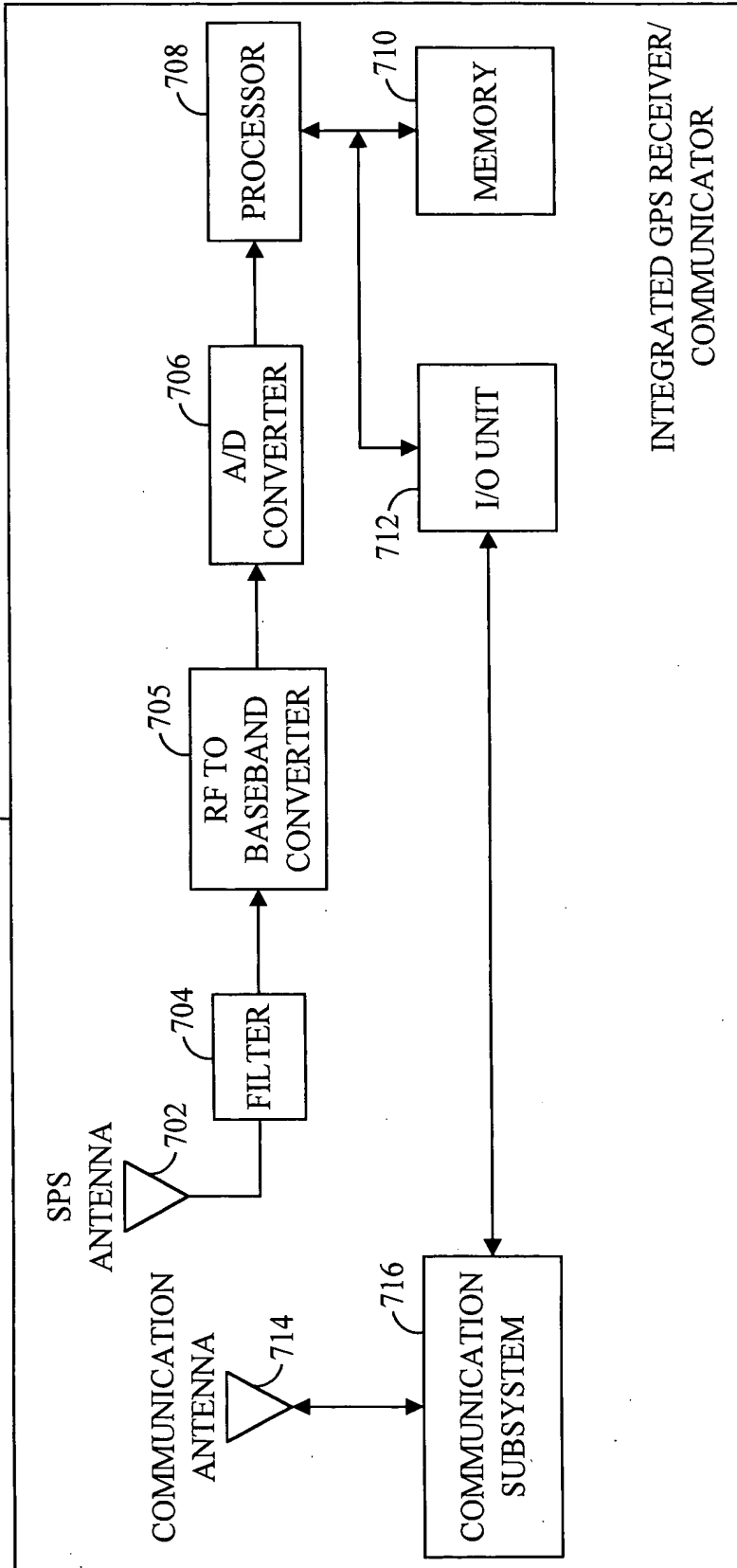


FIG. 7

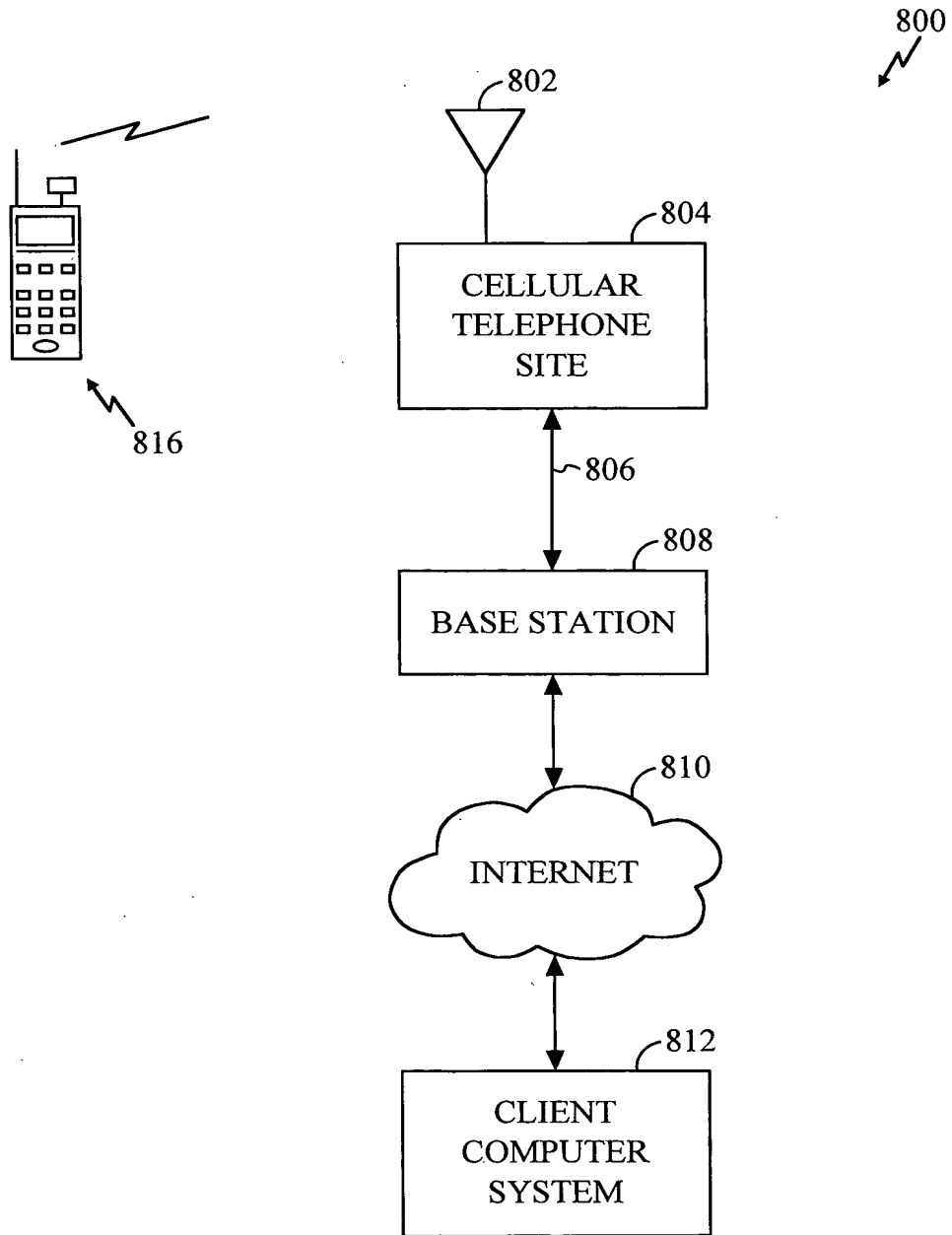


FIG. 8